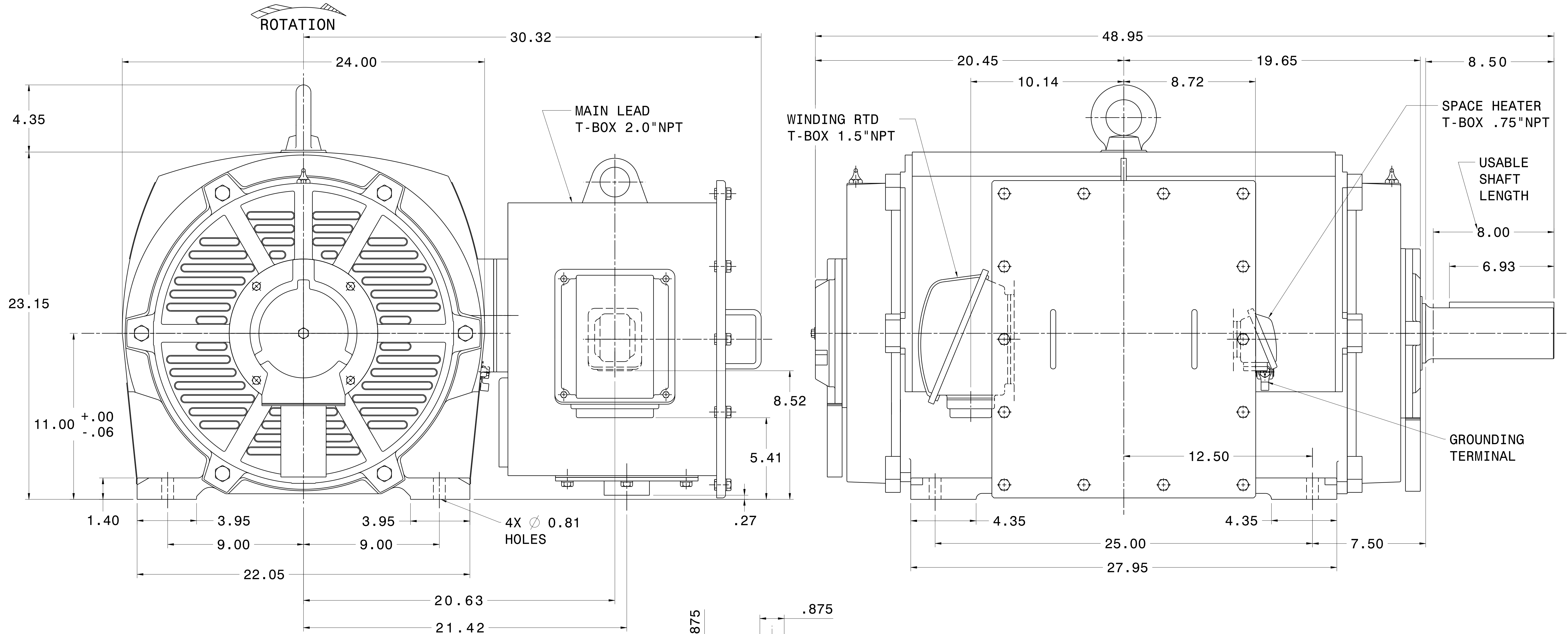


| CATALOG # | TYPE | FRAME | OUTPUT | | POLE | SYN. SPEED R.P.M. | VOLTAGE V. | Hz. | TIME RATING | INSULATION CLASS | SERVICE FACTOR | BEARINGS | | WEIGHT LBS |
|-----------|------|-------|--------|-------|------|-------------------|------------|-----|-------------|------------------|----------------|----------|--------|------------|
| | | | HP | KW | | | | | | | | DE | NDE | |
| PG1506 | AMHG | 449T | 150 | 111.8 | 6 | 1200 | 2300/4160 | 60 | CONT. | F | 1.15 | NU320C3 | 6318C3 | 2180 |

WEATHER PROTECTED TYPE I. SQUIRREL CAGE ROTOR



- NOTES:
1. DIMENSIONS IN INCH.
 2. ENCLOSURE: IP23.
 3. FOR BELT DRIVE.
 4. SPACE HEATER RATED 120 VOLT, SINGLE PHASE.
 5. 100 OHM PLATINUM WINDING RTD'S, 2 PER PHASE.

| | | | | | |
|----------------|--|-------------------|-------------------|---------|--------|
| REF: 4B040M467 | REV. DATA | TECO Westinghouse | | REV NO | 01 |
| | 3-PHASE INDUCTION MOTOR OUTLINE DIMENSIONS | | | DWG NO. | PG1506 |
| | DWN K. MILNER | 080317 | APPD T. FELPS | 080317 | |
| | TECO-WESTINGHOUSE MOTOR COMPANY | | ROUND ROCK, TEXAS | | USA |